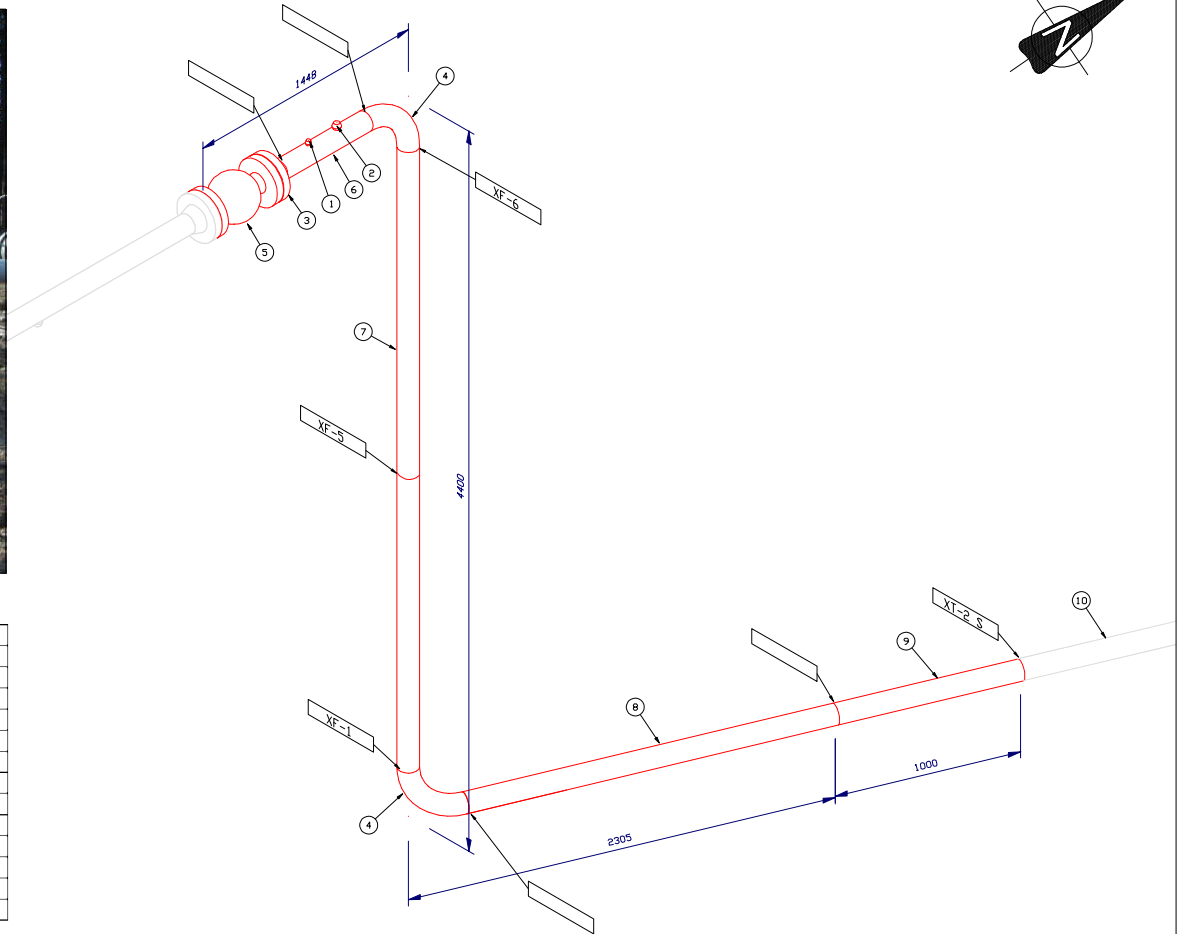


Material Label Report		Material type	Heat #s
Label	Qty	Description	
1	1	15 3000# Thredoilet	CS A 105N 55585
2	1	33.4 3000# Thredoilet	CS A 105N 686
3	1	114.3 600# RF Sch 40 Weld Neck Flange	CSA Gr. 359 CAT II
4	2	114.3 Sch 40 Custom Bend 90°	CSA Gr. 359 CAT II P195G
5	1	114.3 Sch 40 Pipe x 700mm	CSA Gr. 359 CAT II
6	1	114.3 Sch 40 Pipe x 2680mm	CSA Gr. 359 CAT II
7	1	114.3 Sch 40 Pipe x 2000mm	CSA Gr. 359 CAT II
8	1	114.3 Sch 40x4mm Trans. Pipe x 1000mm	CSA Gr. 359 CAT II 526136
9	1	114.3 4mm Line Pipe	CSA Gr. 359 CAT II

LEASE RISER

DOBSON OILFIELD SERVICES (1993) INC.	DRAWING DETAILS	TESTS / REPORTS	PROCEDURES	WELDER CARDS
COMPANY:	PIPING SPEC'S (C1)		W.P.S. DOS-PL-4	
LOCATION:			W.P.S. DOS-PL-5	
DWG NAME			W.P.S. DOS-PL-6	
JOB #				
PIPING CODE: CSA Z662-03				



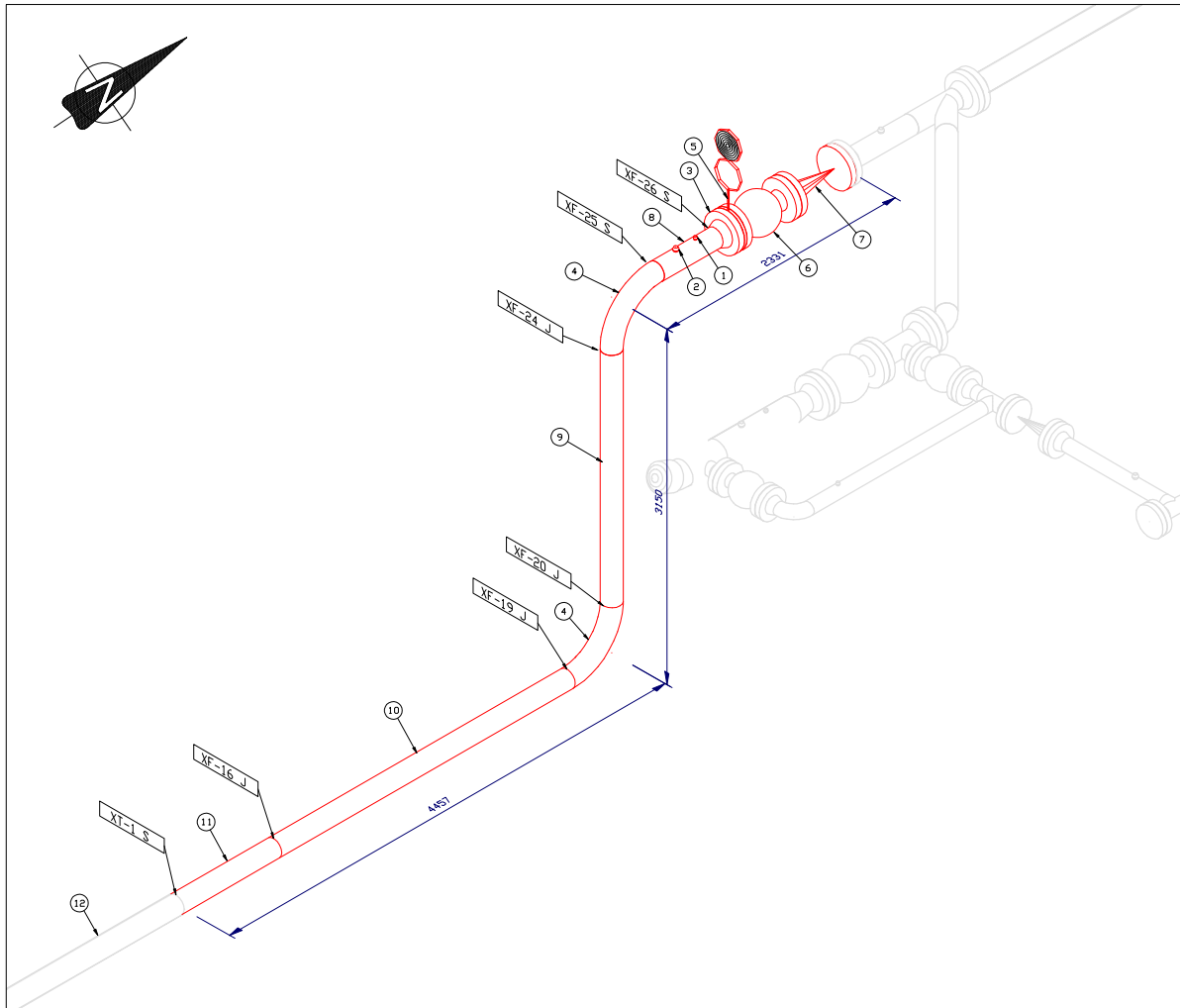
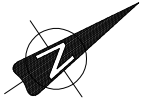


Material Label Report		Material type	Heat #'s
Label Qty	Description		
1	15 3000# Thredolet	CS A350 LF2	
2	33.4 3000# Thredolet	CS A350 LF2	
3	114.3 600# RF Sch 40 Weld Neck Flange	CSA Gr. 359 CAT II	
4	2 114.3 Sch 40 Custom Bend 90°	CSA Gr. 359 CAT II	
5	114.3 Ball Valve Full Bore		
6	114.3 Sch 40 Pipe x 600mm	CSA Gr. 359 CAT II	
7	114.3 Sch 40 Pipe x 3790mm	CSA Gr. 359 CAT II	
8	114.3 Sch 40 Pipe x 2000mm	CSA Gr. 359 CAT II	
9	114.3 Sch 40x4mm Trans Pipe x 1000mm	CSA Gr. 359 CAT II	
10	114.3 4mm Line Pipe	CSA Gr. 359 CAT II	

4" DOWN STREAM PIPELINE RISER

DOBSON OILFIELD SERVICES (1993) INC.	DRAWING DETAILS	TESTS / REPORTS	PROCEDURES	WELDER CARDS
COMPANY:	PIPING SPEC'S (C1)		W.P.S. DOS-PL-4	TREVOR SMITH "S"
LOCATION:			W.P.S. DOS-PL-5	
DWG NAME			W.P.S. DOS-PL-6	
JOB #				
PIPING CODE: CSA Z662-03				



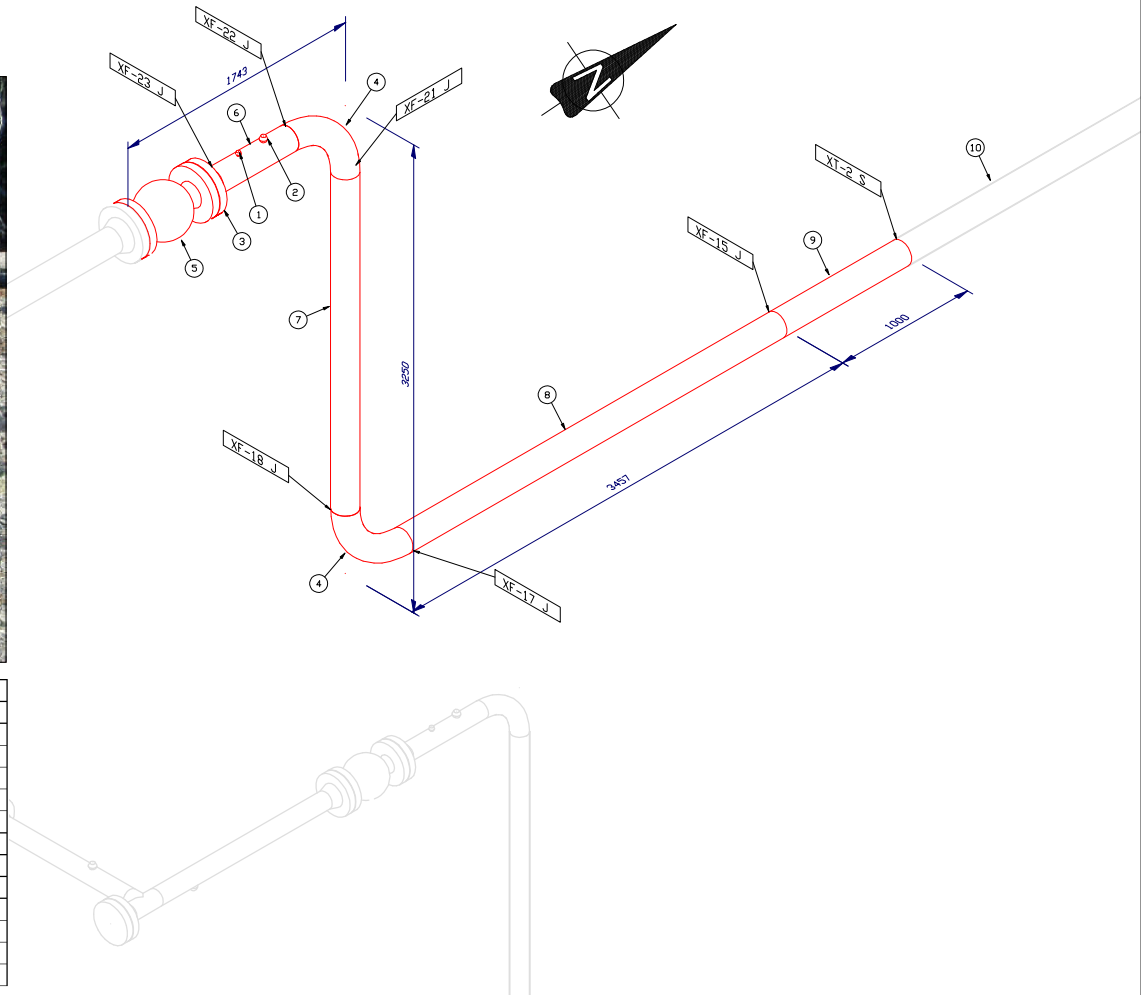


Material Label Report		Material type	Heat #s
Label	Qty	Description	
1	1	15 3000# Thredolet	CS A350 LF2 56277
2	1	33.4 3000# Thredolet	CS A350 LF2 LTXC
3	1	168.2 600# RF Sch 40 Weld Neck Flange	CSA Gr. 359 CAT II 532
4	2	168.2 Sch 40 Custom Bend 90°	CSA Gr. 359 CAT II P350, 5110A
5	1	168.2 600# Spec Blind	
6	1	168.2 Ball Valve Full Bore	
7	1	168.2 Check Valve Swing Type	
8	1	168.2 Sch 40 Pipe x 600mm	CSA Gr. 359 CAT II 72720
9	1	168.2 Sch 40 Pipe x 2236mm	CSA Gr. 359 CAT II 72720
10	1	168.2 Sch 40 Pipe x 3000mm	CSA Gr. 359 CAT II 72720
11	1	168.2 Sch 40x5.6 Trans Pipe x 1000mm	CSA Gr. 359 CAT II 72722
12	1	168.2 Existing 5.6mm Line Pipe	CSA Gr. 359 CAT II EXISTING

6" UPSTREAM PIPELINE RISER

<i>DOBSON OILFIELD SERVICES (1993) INC.</i>	DRAWING DETAILS	TESTS / REPORTS	PROCEDURES	WELDER CARDS
COMPANY:	PIPING SPEC'S (C1)		W.P.S. DOS-PL-4	TREVOR SMITH "S"
LOCATION:			W.P.S. DOS-PL-5	
DWG NAME			W.P.S. DOS-PL-6	
JOB #				
PIPING CODE: CSA Z662-03				



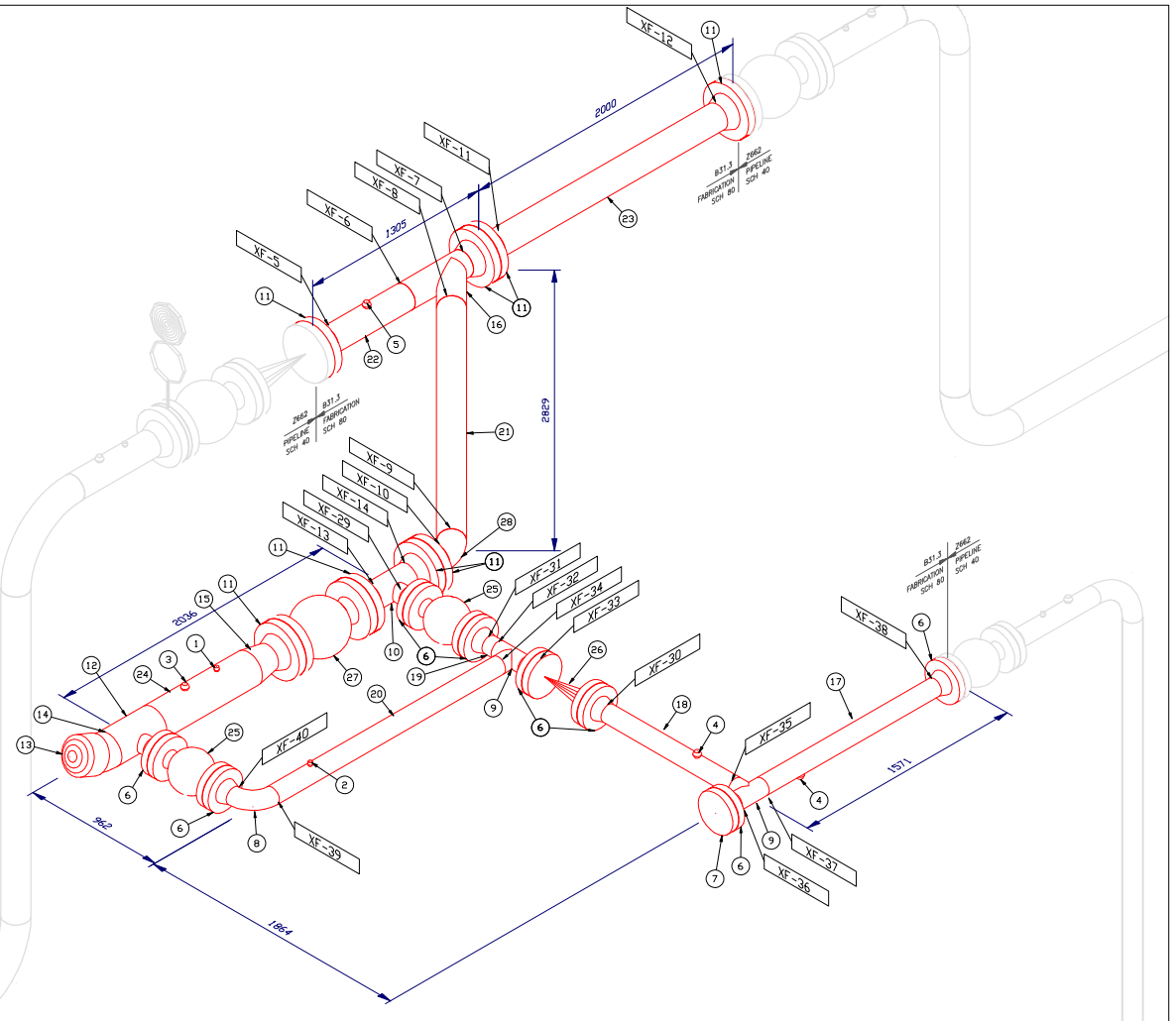


Material Label Report		Material type	Heat #s
Label	Qty	Description	
1	1	15 3000# Thredolet	CS A350 LF2
2	1	33.4 3000# Thredolet	CS A350 LF2
3	1	168.2 600# RF Sch 40 Weld Neck Flange	CSA Gr. 359 CAT II
4	2	168.2 Sch 40 Custom Bend 90°	CSA Gr. 359 CAT II
5	1	168.2 Ball Valve Full Bore	
6	1	168.2 Sch 40 Pipe x 600mm	CSA Gr. 359 CAT II
7	1	168.2 Sch 40 Pipe x 2336mm	CSA Gr. 359 CAT II
8	1	168.2 Sch 40 Pipe x 3000mm	CSA Gr. 359 CAT II
9	1	168.2 Sch 40x5.6 Trans Pipe x 1000mm	CSA Gr. 359 CAT II
10	1	168.2 Existing 5.6mm Line Pipe	CSA Gr. 359 CAT II

6" DOWN STREAM PIPELINE RISER

DOBSON OILFIELD SERVICES (1993) INC.	DRAWING DETAILS	TESTS / REPORTS	PROCEDURES	WELDER CARDS
COMPANY:	PIPING SPEC'S (C1)		W.P.S. DOS-PL-4	TREVOR SMITH "S"
LOCATION:			W.P.S. DOS-PL-5	
DWG NAME			W.P.S. DOS-PL-6	
JOB #				
PIPING CODE: CSA Z662-03				





Label	Qty	Description	Material type	Heat #s
1	1	15 3000# Thredolet	CS A105N	56277
2	1	15 3000# Thredolet	CS A105N	56277
3	1	33.4 3000# Thredolet	CS A105N	LTXC
4	2	33.4 3000# Thredolet	CS A105N	LTXC
5	1	33.4 3000# Thredolet	CS A105N	LTXC
6	8	114.3 600# RF Sch 80 Weld Neck Flange	CS A105N	31892
7	1	114.3 600# RF Blind Flange	CS A105N	
8	1	114.3 Sch 80 90° LR Ell	CS A234 Gr WPB	357118
9	2	114.3 Sch 80 Tee	CS A234 Gr WPB	J2LA137
10	1	168.2 x 114.3 Sch 80 Barred Reducing Tee	CS A234 Gr WPB	403534
11	8	168.2 600# RF Sch 80 Weld Neck Flange	CS A105N	31818
12	1	219 x 114.3 Sch 80 Barred Reducing Tee	CS A234 Gr WPB	05810131
13	1	219 Sch 80 Closure	CS A350 LF2	
14	1	219 Sch 80 45° Ell Trimmed to 22.5"	CS A234 Gr WPB	
15	1	168.2 x 219 Sch 80 Concentric Reducer	CS A234 Gr WPB	05P20027
16	1	168.2 Sch 80 Lateral	CS A234 Gr WPB	SX0112
17	1	114.3 Sch 80 Pipe x 1365mm	CS A106 Gr B	452035
18	1	114.3 Sch 80 Pipe x 1000mm	CS A106 Gr B	452035
19	1	114.3 Sch 80 Pipe x 730mm	CS A106 Gr R	452035
20	1	114.3 Sch 80 Pipe x 1775mm	CS A106 Gr B	452035
21	1	168.2 Sch 80 Pipe x 2366mm	CS A106 Gr B	X05747
22	1	168.2 Sch 80 Pipe x 690mm	CS A106 Gr B	X05747
23	1	168.2 Sch 80 Pipe x 1748mm	CS A106 Gr D	X05747
24	1	219 Sch 80 Pipe x 750mm	CS A106 Gr B	X05747
25	2	114.3 Ball Valve Full Bore		
26	1	114.3 Check Valve Swing Type		
27	1	168.2 Ball Valve Full Bore		
28	1	168.2 Sch 80 45° Ell	CS A234 Gr WPB	05G00044

TIE-IN HEADER

COMPANY:	DRAWING DETAILS	TESTS / REPORTS	PROCEDURES	WELDER CARDS
DOBSON OILFIELD SERVICES (1993) INC.	PIPING SPEC'S (C1)		W.P.S. BDW-5-1	TREVOR SMITH "S"
LOCATION:				
DWG NAME				
JOB #				
PIPING CODE: B31.3				

